



SERIES SGY & SGZ | 2.5" INDUSTRIAL PRESSURE GAGES



SGZ bottom



SGY bottom



SGZ back with
accessory pointers



SGY back
with accessory pointers

FEATURES/BENEFITS

- Stainless steel housing and wetted parts to resist ambient corrosion for longer service life in harsh environments
- Higher accuracy gage for value-sensitive applications requiring more precise measurement and where vibration is a concern
- Optional sliding pointer clearly mark to make visible critical ranges and high and low points
- Liquid fillable gage with easy open breather plug provides smoother damped movement of pointer
- Back or bottom mounting and compact size provides for mounting with dimensional limitations

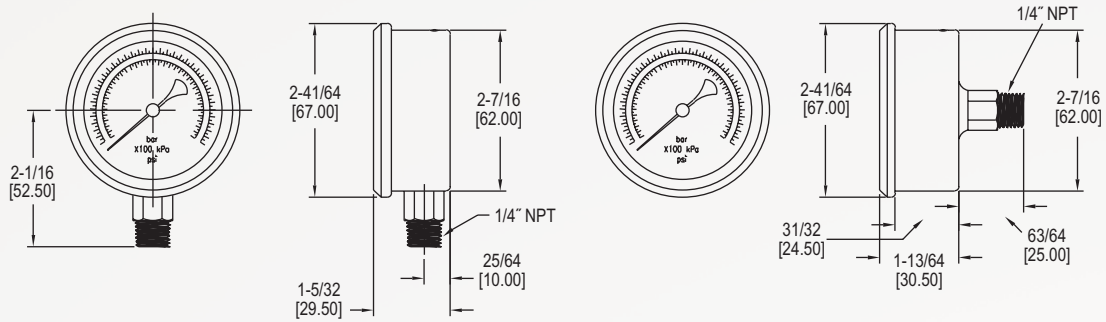
APPLICATIONS

- Vacuums in pneumatic conveying lines
- Positive pressure in compressed air headers
- Corrosive ambient environments

DESCRIPTION

The **Series SGY & SGZ 2.5" Industrial Pressure Gages** have dual psi and bar (x100 kPa) scales with $\pm 1.5\%$ full-scale accuracy. The Series SGZ and SGY gages are designed with 304 SS housings and the SGZ is designed with 316 SS wetted parts for excellent chemical compatibility or SGY brass wetted parts for compatible gases. These gages cover a wide variety of ranges in either bottom or back connection configurations. Series SGZ gages employ an easy-open breather plug on top, which allows liquid filled units to breathe, relieving any built up internal pressures. Plug easily pops open and does not need to be entirely removed or cut like a typical gages' rubber plug grommet.

DIMENSIONS



HOW TO ORDER

Use the **bold** characters from the chart below to construct a product code.

	SGY	-D1	01	22N	-GF	-NISTCAL-PG1	
SERIES							OPTIONS
SGY: Brass connector gage							-NISTCAL-PG1: NIST traceable calibration certificate
SGZ: 316 SS connector gage							
MODEL							GLYCERIN FILL OPTION
-D1							-GF: Glycerin fill
RANGE							Note: Leave blank for standard product. Standard product does not have glycerin fill.
01: 30 in Hg to 0							CONNECTION
03: 0 to 30 psi							22N: 1/4" NPT bottom connection
04: 0 to 60 psi							42N: 1/4" NPT back connection
05: 0 to 100 psi							
06: 0 to 160 psi							
07: 0 to 200 psi							
10: 0 to 300 psi							
11: 0 to 500 psi							
12: 0 to 1000 psi							

ACCESSORIES

Model	Description
A-445D	U-bracket mounting kit for 2.5" gage
A-499R	Red sliding color pointer
A-499Y	Yellow sliding color pointer
A-499G	Green sliding color pointer.

ORDER ONLINE TODAY!
dwyer-instruments.com/Product/SeriesSGY



DWYER INSTRUMENTS, INC.

©Copyright 2019 Dwyer Instruments, Inc.
 Printed in U.S.A. 3/19

DS-SGY-SGZ Rev. 1

Important Notice: Dwyer Instruments, Inc. reserves the right to make changes to or discontinue any product or service identified in this publication without notice. Dwyer advises its customers to obtain the latest version of the relevant information to verify, before placing any orders, that the information being relied upon is current.